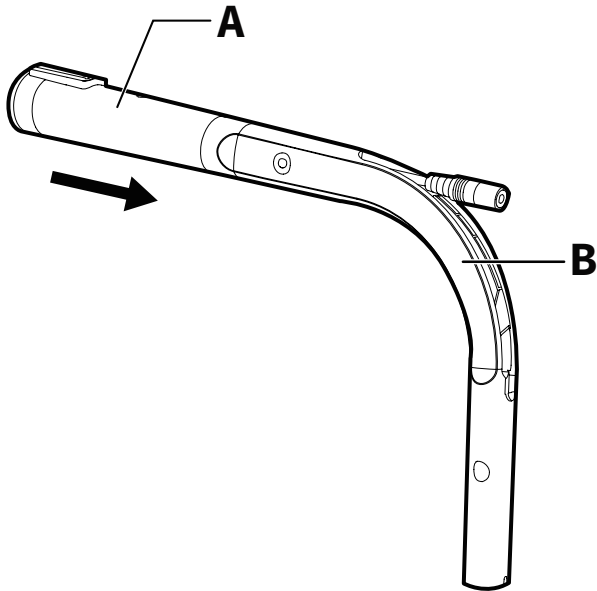




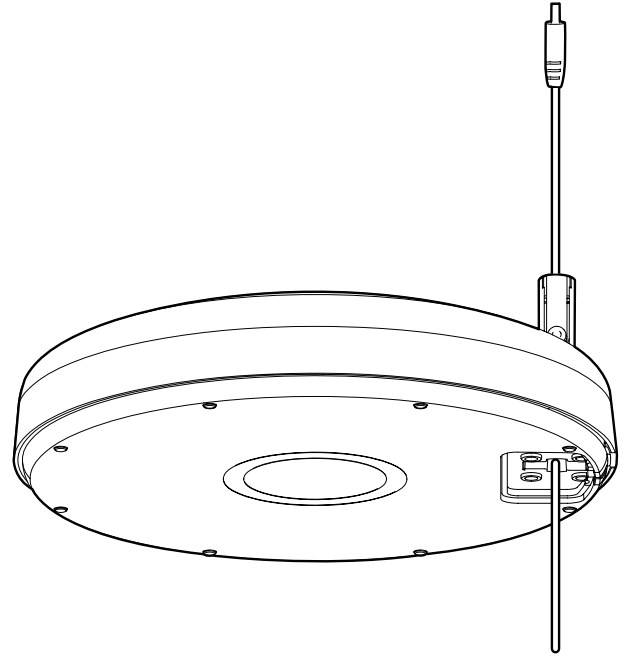
RM5887 Floor Stand

INSTALL THE FLOOR STAND

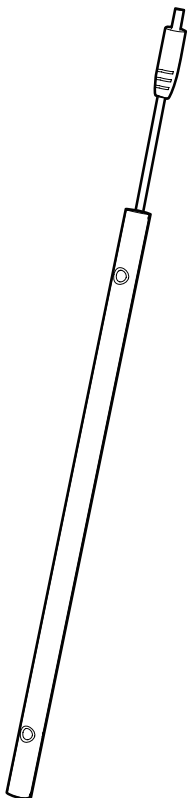
1. Insert the First extension (A) onto the Second extension (B), aligning the slot in between. Make sure the DC socket is out on opening of the Second extension and ready for connection.



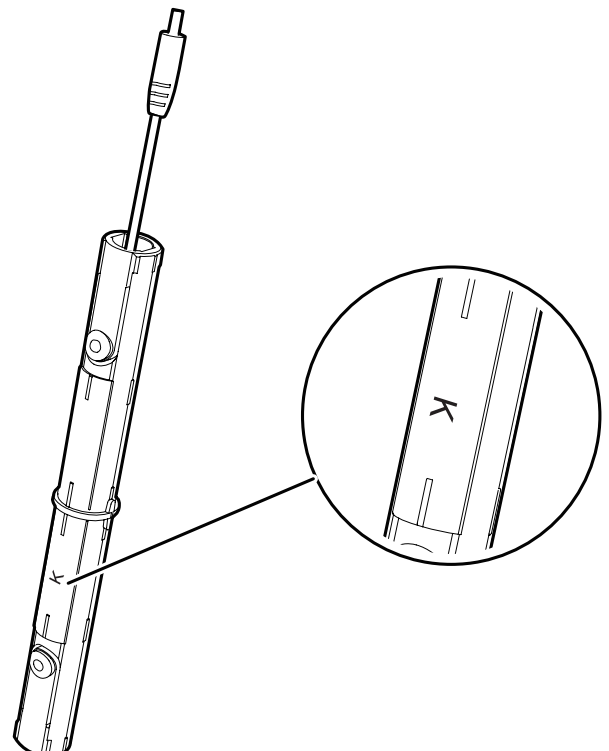
2. Let the cable jack of the Extension cable pass through from the back of the base.



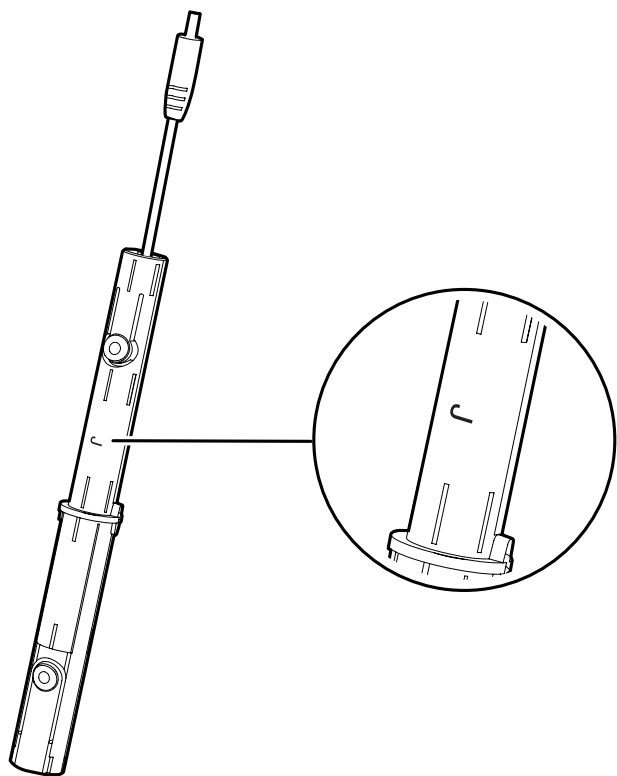
3. Pick one pole and pass the cable jack through the pole, then connect the pole with the Base.



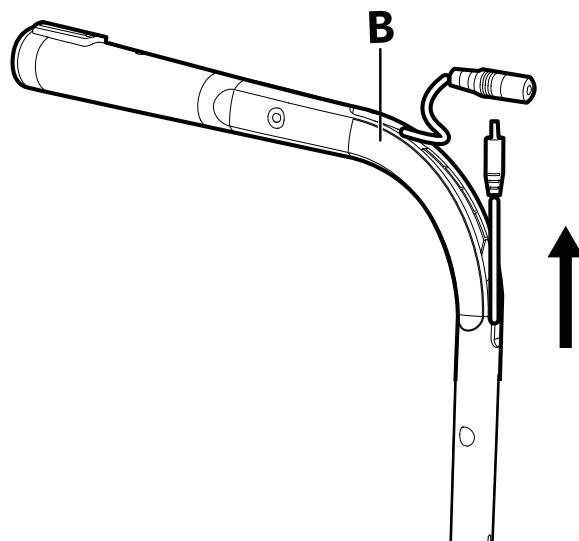
4. Pass the cable jack through the connector (K) pipe, the second pole, the second connector (K) pipe, and the third pole in turn. Align the slot between the poles and connector (K) pipes and connect all three poles firmly with the pipes.



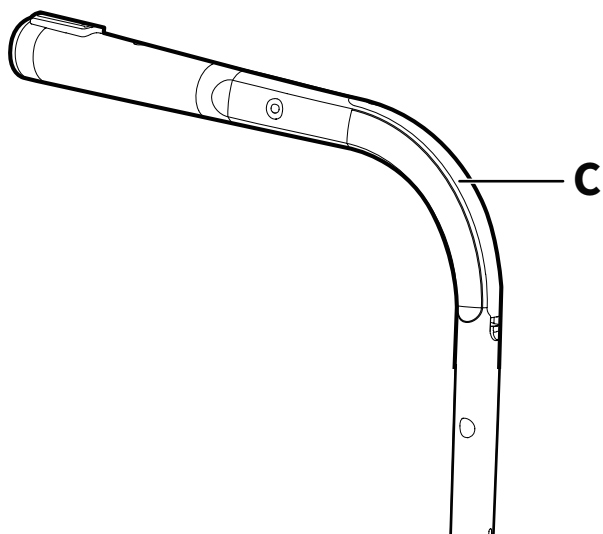
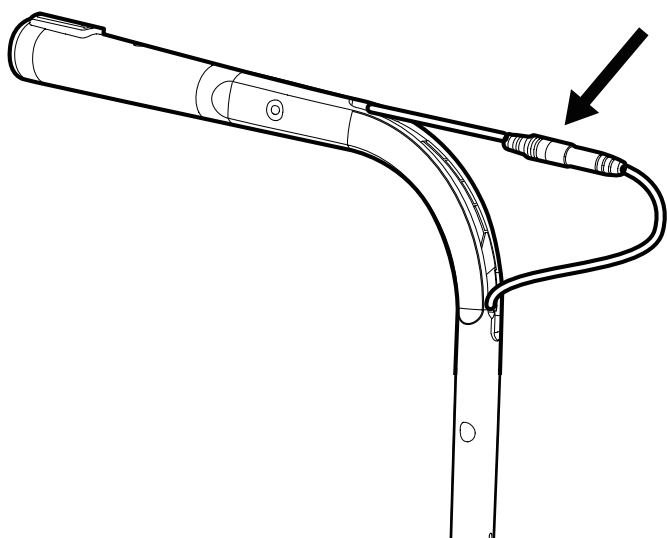
5. Pass the cable jack through the connector (J) pipe, then connect the pipe with the third pole.



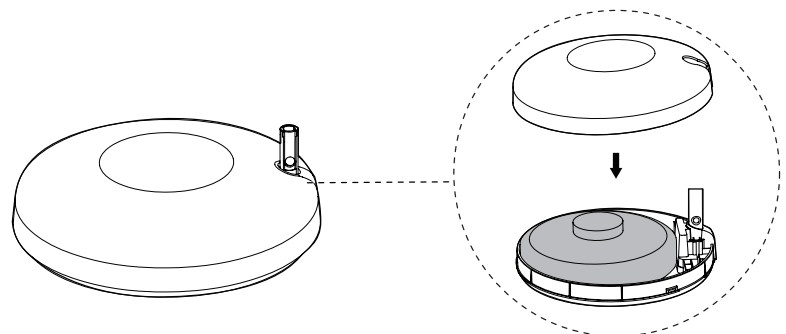
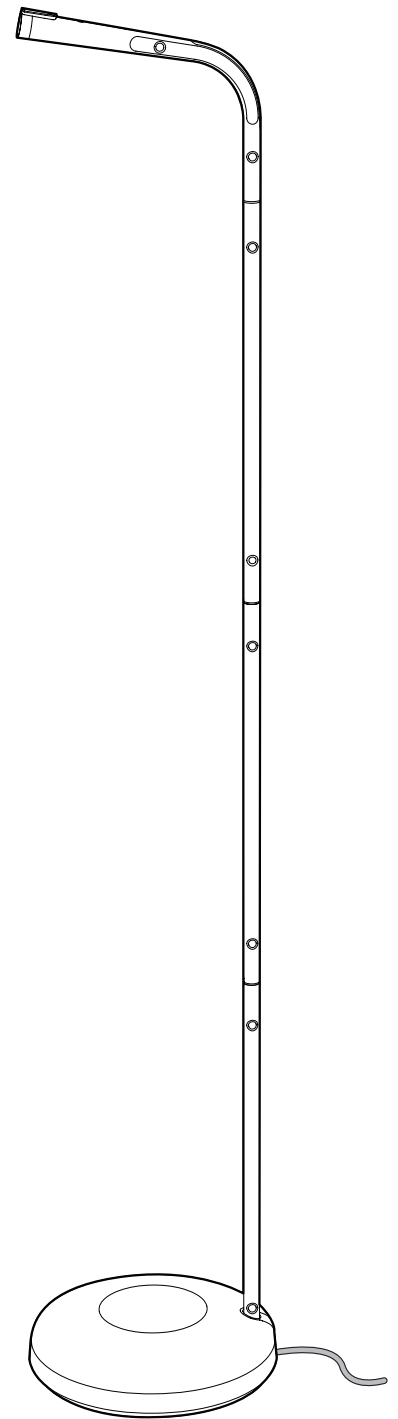
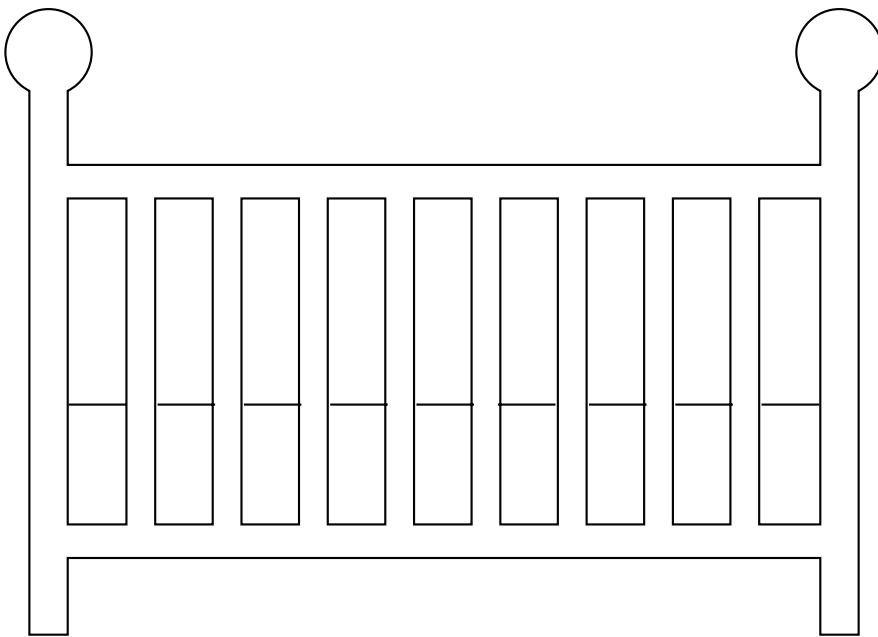
6. Pass the cable jack through the Second extension (B), to the opening. Then connect the Second extension to the connector (J) pipe.



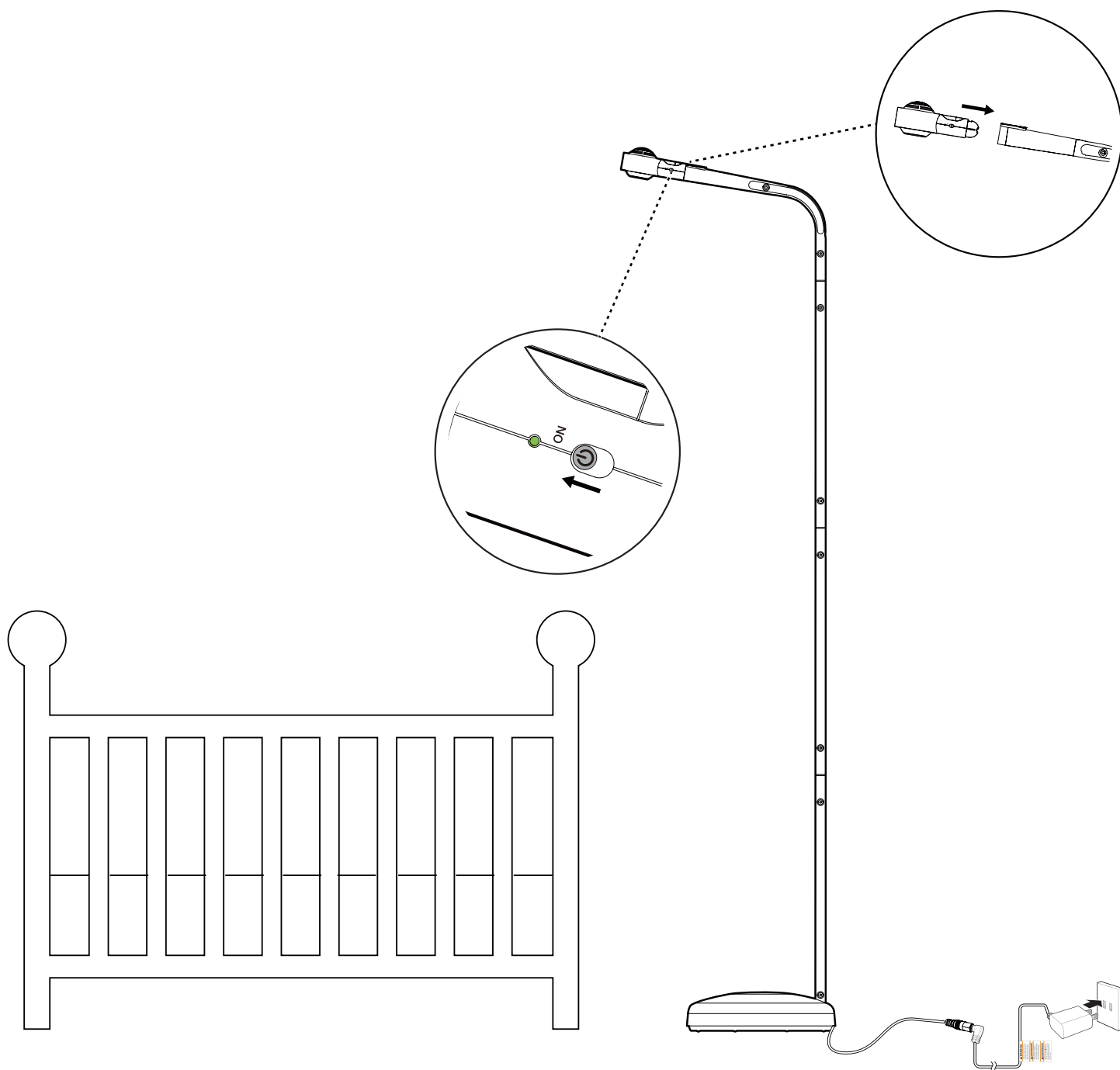
7. Connect the cable jack with the DC socket, then secure the cable with the Extension cover (C).



8. Place the floor stand near the crib. Open the base cover, and put the water bag into the base to prevent the stand from falling. Then, cover the base cover.



9. Install the Baby Unit onto the First extension (A). Connect the adapter to the end of the cable and the power supply to power up the Baby Unit. Slide the switch to **ON** to power your Baby Unit on.



Floor stand installation is completed.